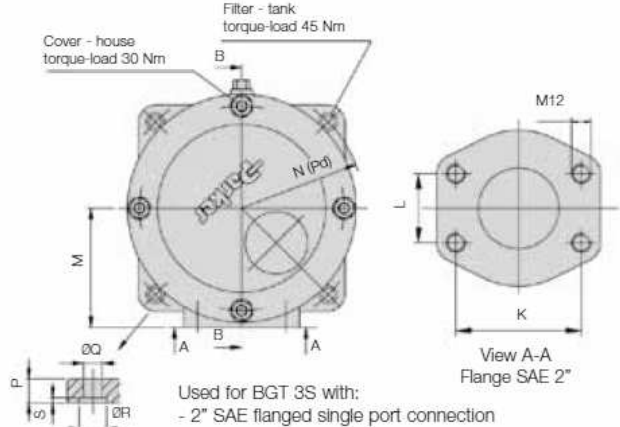
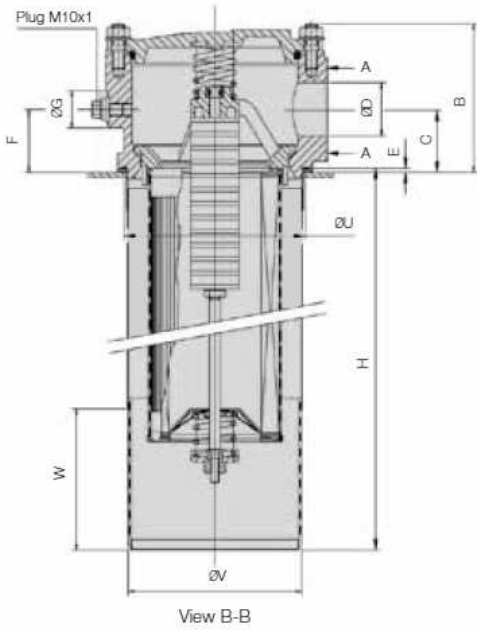
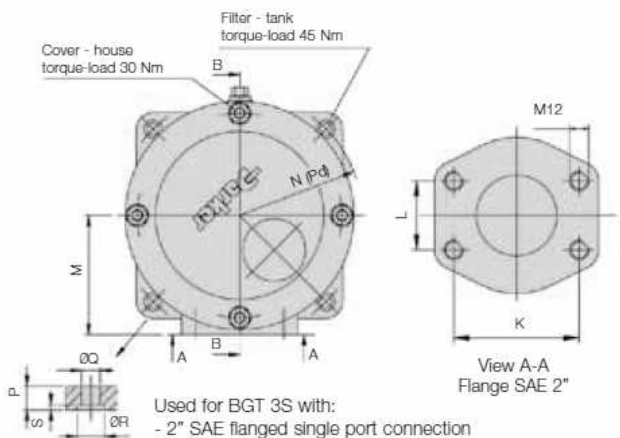
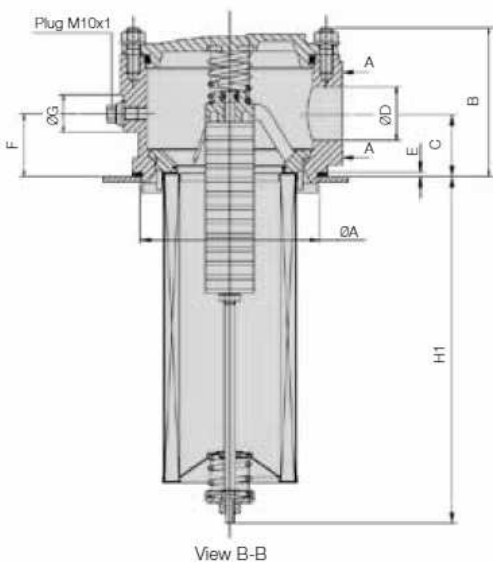


with diffuser



| BGT length | | B | C | D | E | F | G | H | K | L | M | N (Pd) | P | Q | R | S | U | V | W | Kg. |
|------------|--------|-----|----|----|---|----|----|-----|----|----|-----|--------|----|----|----|---|-----------------------|-----|-----|-----|
| 11 | BGT390 | 130 | 50 | 50 | 3 | 50 | 35 | 350 | 78 | 43 | 105 | R107.5 | 14 | 13 | 16 | 3 | 165.5 ^{+0.5} | 165 | 120 | 7.2 |
| 12 | BGT500 | | | | | | | 540 | | | | | | | | | | | | 8.6 |

without diffuser



| BGT length | | A | B | C | D | E | F | G | H1 | K | L | M | N (Pd) | P | Q | R | S | Kg. |
|------------|--------|-----------------------|-----|----|----|---|----|----|-----|----|----|-----|--------|----|----|----|---|-----|
| 11 | BGT390 | 166.5 ^{+0.5} | 130 | 50 | 50 | 3 | 50 | 35 | 325 | 78 | 43 | 105 | R107.5 | 14 | 13 | 16 | 3 | 7.2 |
| 12 | BGT500 | | | | | | | | 515 | | | | | | | | | 8.6 |

Dimensions in mm

BGT3 Single Port Dimensional drawing

